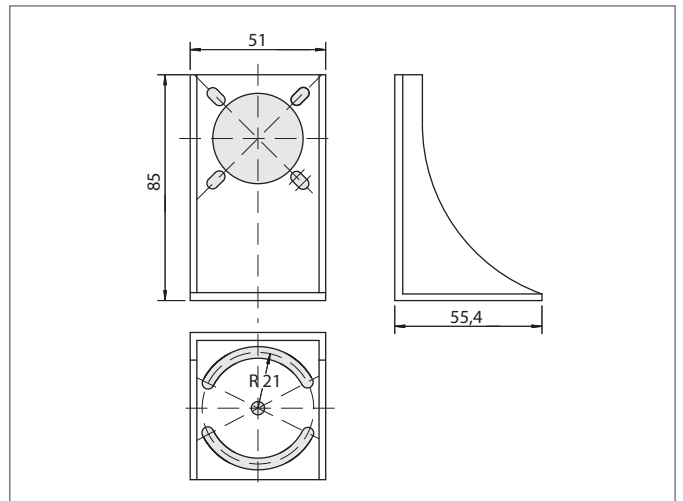
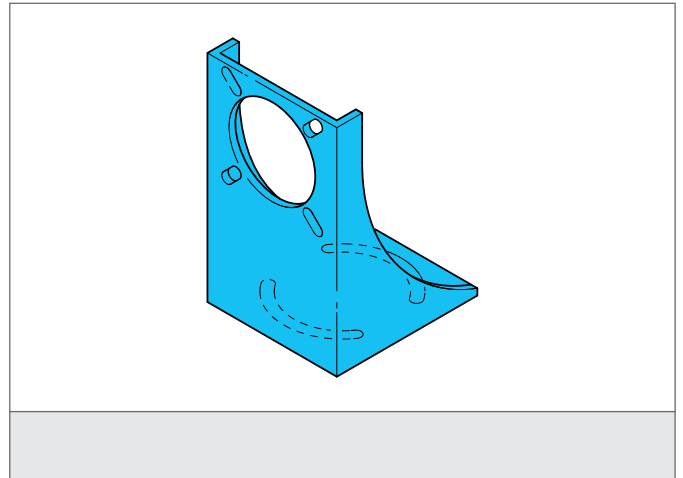


**BW 3**  
**Mounting bracket**

- Robust casing



**TECHNICAL INFORMATION (typ.)**

For	Ultrasonic sensors US 60 ...
Casing material	plastics

Blank area for technical specifications or notes.